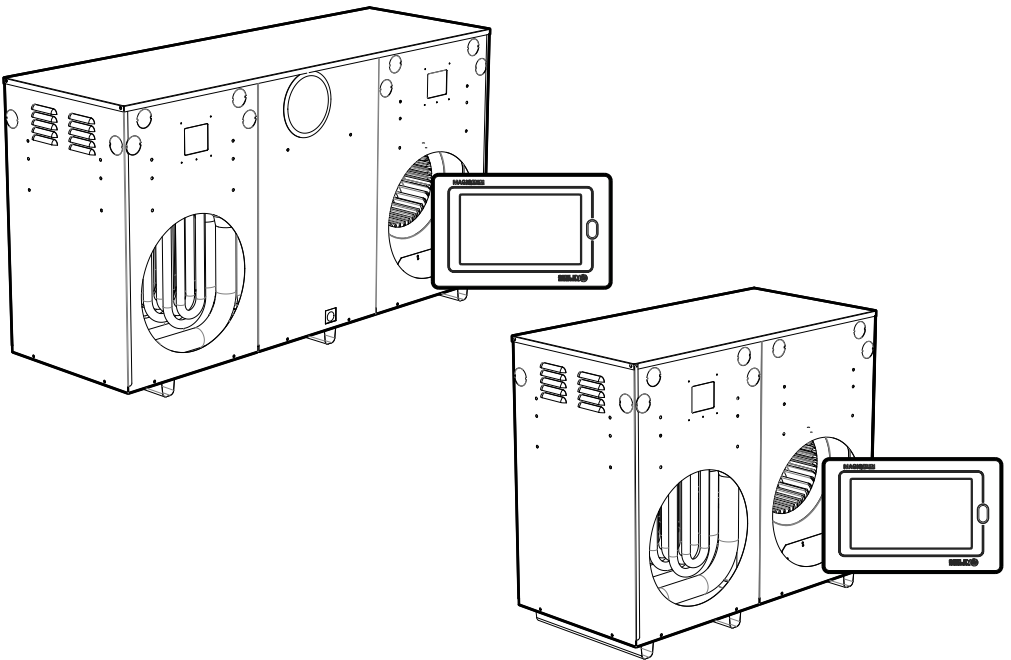




HOME OWNER'S MANUAL

DUCTED GAS HEATER

(with MagIQtouch Controller or Manual Thermostat)



This document is the Owner's Manual for your ducted gas heater.

HEATER IDENTIFICATION AND INSTALLATION

Model No _____
Serial No: _____
Installation date: _____
Installer: _____
Installer phone No: _____

This information is to
be completed by the
installer

IMPORTANT SAFETY INFORMATION

THIS APPLIANCE MUST BE INSTALLED AND SERVICED BY AUTHORISED PERSONNEL ONLY.

DO NOT: Operate this appliance before reading these instructions.

DO NOT: Place articles on or against this appliance.

DO NOT: Use or store flammable materials near this appliance or its flue terminal.

DO NOT: Spray aerosols in the vicinity of this appliance or its flue terminal while it is operating.

DO NOT: Operate this appliance with any parts removed.

DO NOT: Modify this appliance.

DO NOT: Fit filters to warm air outlet registers.

For 3, 4 and non-condensing 5 star heaters, it is recommended that a flue guard be fitted where children may be able to touch the flue terminal - flue guard part No 079073.

This appliance is not intended for use by persons (including children) with reduced physical, sensory or mental capabilities, or lack of experience and knowledge, unless they have been given supervision or instruction concerning use of the appliance by a person responsible for their safety.

Children should be supervised to ensure that they do not play with the appliance.

If the supply cord is damaged, it must be replaced by the manufacturer, its service agent, or similarly qualified persons in order to avoid a hazard.

If you are using bottled gas to supply your unit, then we strongly recommend that you ask your installer to install an UPSO regulator in the gas line upstream of the unit. Damage can occur to your ducted gas heating unit if it is operated when the gas supply has run out or is running low. A correctly installed UPSO regulator in the gas line will protect your ducted gas heating unit from such damage (and may also protect other gas appliances in your home), because it will turn off the gas supply if the gas runs out or runs too low.

IF YOUR HEATER STOPS WORKING

Before requesting a service call please run through the simple checks in the "Troubleshooting" section of this manual.

If required, call Braemar Service on 1300 650 644.

For spare parts call 1300 367 437.

Seeley International Pty Ltd has a policy of continuous product development and therefore reserves the right to make changes to these specifications without notice. Whilst every care has been taken to ensure accuracy of the data compiled in the document, Seeley International Pty Ltd does not assume any liability for errors and/or omissions.

Braemar is a registered trademark of Braemar Industries Pty Ltd.

Seeley International Pty Ltd ACN 054 687 035
Albury Manufacturing
77 North Street, Albury, NSW 2640

IMPORTANT MAINTENANCE AND WARRANTY INFORMATION

As with any product that has moving parts or is subject to wear and tear, it is **VERY IMPORTANT** that you maintain your ducted gas heater and have it regularly serviced. It is a condition of warranty cover for your ducted gas heater that you comply with all of the maintenance and service requirements set out in this Owner's Manual. Compliance with these requirements will prolong the life of your ducted gas heater. Further, it is also a condition of warranty cover that each item in the Maintenance Schedule on page 5 of this Owner's Manual is performed with the frequency indicated, by a qualified, licensed technician, and that the Maintenance Schedule is properly filled out (ie names, signature, date, and action taken) when the item is completed. **ANY FAILURE TO CARRY OUT THE REQUIRED MAINTENANCE AND SERVICING REQUIREMENTS, AND ANY FAILURE TO PROPERLY FILL OUT THE MAINTENANCE SCHEDULE, WILL VOID YOUR WARRANTY.**

CONTENTS

SECTION	PAGE
OPERATING YOUR HEATER USING THE MAGIQTOUCH CONTROLLER	2
ADDITIONAL FUNCTIONS	2
MAGIQTOUCH CONTROLLER SETTINGS MENU	2
OPERATING YOUR HEATER USING THE MANUAL THERMOSTAT	3
IMPORTANT MAINTENANCE AND WARRANTY INFORMATION	4
HOME OWNER/USER MAINTENANCE	4
MAINTENANCE SCHEDULE	5
TROUBLESHOOTING	6
HOW TO REGISTER YOUR PRODUCT WARRANTY (Australia only)	7
WARRANTY TERMS AND INFORMATION (Australia only)	8

OPERATING YOUR HEATER USING THE MAGIQTOUCH CONTROLLER

For operation details on the following functions please refer to the MagiQtouch Controller owners manual.

Navigation

There are a few things you need to know in order to navigate your new MagiQtouch Controller that was supplied with your heater.

If you are unfamiliar with touch screen technology, this section outlines some of the sliders and buttons you will need to use.

Manual Mode

When operating in MANUAL mode the heater will turn on and off to maintain the set temperature until turned off by the user.

Program Mode

When operating in PROGRAM mode the heater will automatically turn on and off for the current time period to maintain the programmed temperature.

The MagiQtouch Controller divides each day into four time periods. You decide when each of these periods begins and what you want your system to be doing.

ADDITIONAL FUNCTIONS

Adjusting the Maximum Gas Rate - TQM, TQS4, TQS5, TQS6 and TQS7 series heaters

The maximum gas rate can be adjusted if required from the SETTINGS menu. The option is found under the HEATER tab.

Select "GAS RATE" and choose from 25%, 50%, 75% and 100% to limit the maximum gas rate .

Note: Reducing the maximum gas rate setting will reduce heat output.

Adjusting the room fan speed

For optimum performance and efficiency, it is recommended that the room fan settings set by your installer be used.

If required, in systems with a single MagiQtouch Controller installed, the room fan speed can be adjusted by the user by following on-screen prompts. In systems with multiple MagiQtouch Controllers, or a combination of MagiQtouch Controller with air sensors installed, the room fan speed is not user adjustable.

Notes:

1. Reducing the room fan speed may cause the heater to cycle on and off (this is normal), which may reduce the average heat output.
2. If outlets are closed in conjunction with reducing the room fan speed, at least 1 outlet must remain open at all times – this may also cause the heater to cycle as above.

MAGIQTOUCH CONTROLLER SETTINGS MENU

Your MagiQtouch Controller includes a settings menu which gives you access to information about your Braemar gas ducted heater and extra functions including:

About Appliance

Access information about the appliances installed in your system.

Min/Max Set Temperature

You can change the minimum and maximum temperature displayed on your slider, depending on what temperature range you prefer your system to work within.

Night Quiet Mode

Reduce fan speed over the night period for a quiet night's sleep.

Note: There are some settings that are only available to trained service agents or installers. Only qualified personal should access these options using a pin code

OPERATING YOUR HEATER USING THE MANUAL THERMOSTAT

Turning Heater On

- 1 Press ON/OFF button.
- 2 The heater and room fan will start after a short delay (approximately 30-60 seconds) provided set temperature is greater than room temperature.

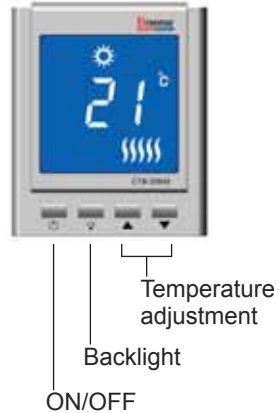
Turning Heater Off

- 1 Press ON/OFF button.
- 2 Heater will turn off, room fan will stop after approximately 60-90 seconds.

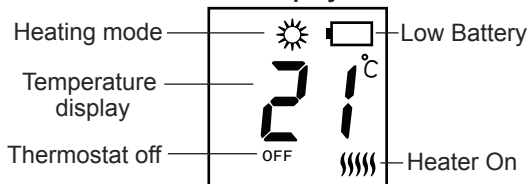
Adjusting Set Temperature

- 1 Press UP or DOWN ARROW button to increase or decrease setting - the displayed temperature will change to set temperature and flash.
- 2 Each press will increase or decrease the setting by 1°C.


Button Functions



Display



Replacing the Batteries

- 1 When the battery symbol  appears new batteries are required.
- 2 Un-clip the bottom of the front of the thermostat and pull forwards.
- 3 Fit 2 x AA batteries and clip front of thermostat back in place
(note direction of battery '+' and '-').



HOME OWNER/USER MAINTENANCE

The return air filter (where fitted) must be checked and cleaned by the owner/user at least once every 2 weeks during the heating season. If you have one it will be in the return air grille. This grille is part of the ductwork, and is usually fitted by the installer to a wall or ceiling inside the house. You can use a vacuum cleaner to clean the return air filter. If you are unsure how to find, remove, and clean the return air filter, then please contact your local Braemar Dealer or your installer. Cleaning the return air filter regularly will help to keep the heater running efficiently. An inefficient heater results in higher gas bills. You will also have to pay the costs of any service call associated with a failure to clean the return air filter.

If the heater is installed outside the home, the owner/user must do a yearly visual check to ensure that vegetation (plants, branches, weeds etc) has not grown into or around the unit and that the external cabinet is clean and free from debris that may build up over time (eg leaves and the like).

IMPORTANT MAINTENANCE AND WARRANTY INFORMATION

As with any product that has moving parts or is subject to wear and tear, it is **VERY IMPORTANT** that you maintain your ducted gas heater and have it regularly serviced. It is a condition of warranty cover for your ducted gas heater that you comply with all of the maintenance and service requirements set out in this Owner's Manual. Compliance with these requirements will prolong the life of your ducted gas heater. Further, it is also a condition of warranty cover that each item in the Maintenance Schedule on page 5 of this Owner's Manual is performed with the frequency indicated, by a qualified, licensed technician, and that the Maintenance Schedule is properly filled out (ie names, signature, date, and action taken) when the item is completed. **ANY FAILURE TO CARRY OUT THE REQUIRED MAINTENANCE AND SERVICING REQUIREMENTS, AND ANY FAILURE TO PROPERLY FILL OUT THE MAINTENANCE SCHEDULE, WILL VOID YOUR WARRANTY.**

MAINTENANCE SCHEDULE

It is a condition of your warranty cover that the items in the Schedule below are checked (and action taken as required) every two (2) years after the date of installation by a qualified, licenced technician, and that the Schedule is properly filled out (ie names, signature, date, and action taken). Even after the warranty period expires, please continue to have the product maintained every two years as per the items in the Schedule. This will help to prolong the life of the product and keep it running efficiently.

Year	2	4	6	8	10
Name of Technician and company (Print)					
Signature of Technician					
Date of attendance					

Cabinet and components

Cabinet					
Heat exchanger					
Combustion air inlet louvres					
Condensate drain (If applicable)					

General installation

Return air grille and filter					
Duct condition					
Flue system, cowl					
Electrical and gas connections					

Electrical

Electrical wiring					
Room fan motor / impellor					
PCB's					
Pressure switch/s and hoses					
Combustion fan suction pressure					

Gas, burners, ignition

Burners and injectors					
Ignition electrode					
Flame sense electrode					

Operation

Start up and run sequence					
Control operation					
Cross-lighting					
Gas inlet pressure		kPa	kPa	kPa	kPa
Gas test point pressure High		kPa	kPa	kPa	kPa
Gas test point pressure Low		kPa	kPa	kPa	kPa
Return air temperature					
Outlet air temperature					
Thermistor temperature					
Zone operation (If applicable)					

Action taken key:

✓ = Inspected and working correctly no action required

A = Adjustment of part

C = Cleaning of part

R = Replaced part

To owner/user: please note that as explained in your Warranty Card, installation is not covered by the warranty (for example, ductwork, the return air grille and filter, and electrical and gas connections to the ducted gas heater). However, we still require that you have these things checked, because they can affect the performance (and/or safety) of the heater. This is why we have included them in the Maintenance Schedule.

TROUBLESHOOTING USING THE MAGIQTOUCH CONTROLLER

Symptom	Action
House is not heating effectively	<ul style="list-style-type: none"> • Check that the Controller is set to HEAT mode. • Check that Controller is set to required temperature (Set temperature must be above room temperature for heater to start) - increase set temperature if required. • Fan speed may be set too low - try increasing the fan speed. • Check that outlets/zones are open to all areas that require heating. • Check the return air grille is not obstructed. • Check that the return air grille and filter are clean - clean if required. • Check that doors and windows are closed. • Check the Maximum gas rate has not been adjusted down.
Heater operates at wrong times in PROGRAM mode	<ul style="list-style-type: none"> • Check that the time and day displayed are correct. • Check that AM/PM is correct in the program settings. • Check time, temperature, zones and fan speed settings in the program.
Heater does not start - fault code 07 displayed	<ul style="list-style-type: none"> • Check that gas is turned on at gas meter. If the gas is turned off contact your installer or gas supplier.
Set Date and Time screen is displayed.	<ul style="list-style-type: none"> • There may have been a power outage. Set Date and Time to resume heater operation.

If your MagIQtouch Controller prompts you to call a service agent, please contact your local Dealer or Service number on the back of this manual.

TROUBLESHOOTING USING THE MANUAL DIGITAL THERMOSTAT CONTROLLER

Symptom	Action
House is not heating effectively	<ul style="list-style-type: none"> • Check that Controller is set to required temperature (Set temperature must be above room temperature for heater to start) - increase set temperature if required. • Check outlets are open to all areas that require heating. • Check the return air grille is not obstructed. • Check that return air filter (where fitted) is clean - cleaning at least once every 2 weeks is required. • Check that doors and windows are closed.
Heater does not start	<ul style="list-style-type: none"> • Check thermostat is set above room temperature. • Reset the heater - turn thermostat OFF-ON-OFF-ON with a 5 second wait at each step. • Check time, temperature, zones and fan speed settings in the program. • Check that gas is turned on at gas meter. If the gas is turned off contact your installer or gas supplier.

HOW TO REGISTER YOUR PRODUCT WARRANTY (Australia only)

Warranty Information section

HOW TO REGISTER YOUR PRODUCT WARRANTY (Australia only)

Please register your warranty online by visiting www.seeleyinternational.com and following these steps:

Step 1 Select "GET SUPPORT" and "REGISTER A WARRANTY"

Step 2 Select the brand of product you purchased

Step 3 Enter the required information and "submit form"

(Alternatively, if you have a smart phone or tablet, using an app you can scan the QR code on the back cover of this manual, which will take you directly to the webpage for product warranty registration.)

Important Note: You need to have the following information to complete your registration:

- your unit model and size
- serial number
- date your system was installed
- name of the dealer you purchased it from

Please complete this section. You will also need to retain your purchase receipt, and if your warranty period was extended by us, your proof of the extension.

Customer Name:	<input type="text"/>
Installation Address:	<input type="text"/>
	<input type="text"/>
Suburb:	<input type="text"/>
Brand:	<input type="text"/>
Model:	<input type="text"/>
Serial No:	<input type="text"/>
Type of Installation:	<input type="text" value="Residential / Non-residential / Commercial"/>
Date of Installation:	<input type="text"/>
Installer/Dealer:	<input type="text"/>

PRIVACY NOTICE

Seeley International Pty Ltd ABN 23 054 687 035 will use the personal information you provide us with to provide warranty support for the product you have purchased and to inform you about other products and services. If you choose not to supply us with the information requested, we may be unable to provide you with warranty support. We may also disclose your information to third parties, such as related entities; retailers, distributors, service agents and contractors who are affiliated with us; or marketing or market research companies. If you would prefer not to receive direct marketing communications from us, please follow the instructions to "unsubscribe" which will be included in the direct marketing communications we send you, or contact our Privacy Officer using the details set out below. While we do not currently transfer personal information to overseas recipients or store personal information overseas, if we transfer your information to third parties who do so, we will take reasonable steps to ensure that the overseas recipients do not breach the Australian Privacy Principles. By registering your warranty, you consent to having your personal information used in this way. Please read our Privacy Policy on our website www.seeleyinternational.com for further explanation of how we collect, use, hold and disclose personal information, and how you may access and seek correction of your information. It also sets out how you may complain about a breach of the Australian Privacy Principles, and how we will deal with your complaint. You may contact us at: Privacy Officer, Seeley International Pty Ltd, 112 O'Sullivan Beach Road, Lonsdale, South Australia 5160.

WARRANTY TERMS AND INFORMATION (Australia Only)

In this warranty:

We or us means Seeley International Pty Ltd ABN 23 054 687 035, and our contact details are set out at the end of this warranty;

You means you, the original end-user purchaser of the Goods;

Supplier means the authorised distributor or retailer of the Goods that sold you the Goods in Australia;

Goods means the product, unit, appliance or equipment which was accompanied by this warranty and purchased in Australia; and

Relevant Warranty Period means the various warranty periods as described in clause 1 and clause 3 below, as appropriate.

Our Goods come with guarantees that cannot be excluded under the Australian Consumer Law. You are entitled to a replacement or refund for a major failure and for compensation for any other reasonably foreseeable loss or damage. You are also entitled to have the Goods repaired or replaced if the Goods fail to be of acceptable quality and the failure does not amount to a major failure.

In addition to any rights and remedies that You may have under the Australian Consumer Law or any other law, subject to the terms of this warranty, We provide the following warranty:

1. If, during the first five (5) years from the date of purchase when the Goods are used (i) for personal, residential household purposes or (ii) in commercial installations for the purpose of keeping people warm, and otherwise for one (1) year for non-domestic heating applications, and during any extended warranty period that may be agreed to in writing by us, the Goods upon examination prove defective by reason of improper workmanship or material, We will repair or replace at our option, the Goods or any part thereof without charge for either parts or labour, during normal working hours. Should we deem in our absolute discretion to replace the Goods, we may substitute any similar good even if it is not on our current price/equipment list. Further, Goods presented for repair may be replaced by refurbished goods of the same type rather than being repaired. Refurbished parts may be used to repair the Goods. Where we repair or replace the Goods or any part thereof under this clause 1, the warranty granted under this clause shall apply to the Goods or parts used to effect the repair or replacement, but only for the then remaining portion of the warranty period.

2. The warranty granted under clause 1 applies to all components which form part of the original Braemar gas heater, but does not cover:

- (a) fair or normal wear and tear;
- (b) damage, loss or claims caused by, resulting from, or arising out of any utilities that service or are connected to the Goods, electrical surges, inadequacies, failure, or other problems in or with any electricity, power, water, or gas supply to the Goods;
- (c) after the first year: (i) the replacement, supply, or servicing of consumable items (including without limitation washers and seals) and (ii) maintenance adjustments to the gas heater (including without limitation gas pressure, ignition, flame sensing, filter, and airflow adjustments); and
- (d) installation (including without limitation ductwork, fittings, return air filters and other related installation components) which is excluded.

3. If during the first ten (10) years the Heat Exchanger or Gas Burner prove defective by reason of improper workmanship or material, We will repair or replace the relevant Parts, or alternatively replace the Goods, at our discretion. The warranty under this clause 3 only includes the costs of the Parts or Goods, You will be responsible for any costs of labour. Should we deem in our absolute discretion to replace the Parts or Goods, we may substitute any similar good or Goods even if it is not on our current price/equipment list. Further, Parts presented for repair may be replaced by refurbished goods of the same type rather than being repaired. Refurbished parts may be used to repair the Goods. Further, refurbished Goods, or alternatively Goods of the same age or condition, may be used to replace the original Goods. Where we repair or replace the Parts (or alternatively replace the Goods) under this clause 3, the warranty granted under this clause shall apply to the Parts used to effect the repair or replacement (or if the Goods were replaced, to the Goods used to effect the replacement) but only for the then remaining portion of the warranty period.

4. We are under no obligation to repair or replace the Goods or Parts under clause 1 or clause 3 if (i) the Goods have not been operated, serviced, and maintained in accordance with the instructions provided in the Owner's Manual, (ii) any such service or maintenance has not been properly or competently performed, (iii) the Goods have not been installed and commissioned in accordance with the installation instructions, or (iv) the Goods have not been installed and commissioned properly or competently.

It is a condition of warranty cover that each item in the Maintenance Schedule in the Owner's Manual (if it was published with such a Schedule) is performed with the frequency indicated, by a qualified, licensed technician, and that the Maintenance Schedule is properly filled out (ie names, signature, date, and action taken) when the item is completed. Any failure to carry out the required maintenance and servicing requirements, and any failure to properly fill out a Maintenance Schedule in the Owner's Manual, will void your warranty.

5. The addition of any third party device, (except where it is required by the installation instructions and complies with those instructions), or the removal or alteration of any Braemar component, or damage due to misuse of the unit, or faulty installation or commissioning, will void this warranty.

WARRANTY TERMS AND INFORMATION (Australia Only)

cont.

6. As far as the law permits, We will not be liable for any consequential loss suffered through, or resulting from, the non-operation, or ineffective operation of the gas heater. The warranties granted under clause 1 and clause 3 do not cover damage to the gas heater or other loss resulting from acts of God.

7. No other person, company or corporation is authorised to offer, or give on our behalf, any other warranty. Nothing in this warranty shall be construed as affecting any rights You may have under all the relevant laws, or Commonwealth or State Legislation which give You rights which cannot be modified or excluded by agreement. The benefits conferred are in favour of You and any person deriving title to the Braemar gas heater whilst in its original place of installation.

8. In order to claim under the warranties granted under clause 1 or clause 3 You must:

(a) either:

- contact us within the Relevant Warranty Period on **1300 650 644**; or
- log a warranty claim at our website www.seeleyinternational.com within the Relevant Warranty Period; and

(b) make available for inspection by the Seeley International service agent who will come to the location of the Goods (or send to us at the address below) and within the Relevant Warranty Period: (i) the legible and unmodified original proof of purchase, which clearly indicates the name and address of the original retailer, the date and place of purchase, the product name or other product serial number, (ii) all of your records of all service and maintenance carried out to the Goods, plus the maintenance Schedule in the Owner's Manual (if it was published with such a Schedule) (iii) a copy of the completed Warranty Information page in this warranty, and (iv) if an extended warranty period was agreed to in writing by us, then the relevant document provided by us confirming that extended warranty period. (If you choose to send the documents described in (i) to (iv) to us, then there is an additional requirement: they must be accompanied by a covering letter which states your name and address, daytime telephone number, the address at which the Goods are installed, and the model and serial number of the Goods.)

9. The warranty granted in clause 1 covers the costs of parts and labour and the warranty granted in clause 3 covers the costs of parts within the Relevant Warranty Period but in both cases You will be responsible for:

(a) The cost of travel incurred for a Seeley International service agent to get to and from the location of the Goods if the Goods is either: (i) outside the metropolitan areas of the capital cities; or (ii) more than 35 kilometres from an authorised Seeley International branch or service representative;

(b) Any costs for additional labour or equipment associated with gaining acceptable and safe service access to the Goods installed in restricted, high or unsafe locations, and/or the removal and replacement of any barrier, walls, floors, roofs, fences etc.; and

(c) Any costs incurred by the Seeley International service agent in gaining access to the Goods which is necessary to comply with any safety or workplace safety requirements and/or any other relevant regulations. For the avoidance of doubt, the reference to any costs incurred also includes the costs of any necessary site inductions.

10. We are not responsible in any way for any failure and/or inadequate performance of the Goods which arises from or is connected to the use in the Goods of non-genuine spare parts. We strongly recommend that only spare parts supplied or approved by us are used in the Goods.

11. We, our employees, and our Executive are not responsible for the installation of the Goods and expressly disclaim all liability resulting from incorrect installations or installations that do not conform to local electrical codes, local plumbing codes, Occupational Health and Safety requirements, and by laws which are legislated or in effect at the time of installation.

12. This warranty is only valid and enforceable in Australia.

Note: We and our Seeley International service agents reserve the right to refuse service unless safety and accessibility to the unit can be guaranteed.

If a service call reveals no warranty fault found with the gas heater, a charge will be made for the call.

Our liability under this warranty is limited to the extent permitted by law. That is, to the extent that it is fair and reasonable, if the Goods are not of a kind ordinarily acquired for personal, domestic or household use or consumption, your remedies associated with any failure or defect of the Product will be limited to:

- (a) the replacement of the Goods or the supply of equivalent goods;
 - (b) the repair of the Goods;
 - (c) the payment of the cost of replacing the Goods or of acquiring equivalent goods; or
 - (d) the payment of the cost of having the Goods repaired
- and subject to the terms and conditions included in this warranty.

You can register your warranty with us on our website. See the instructions on page 7.

Service Department

Seeley International Pty Ltd

112 O'Sullivan Beach Road

Lonsdale, South Australia 5160

Customer service centre 1300 650 644 (Australia) +61 8 8328 3850 (New Zealand)

Website: www.seeleyinternational.com



BARCODE AND SERIAL NUMBER



Warranty Service
Australia 1-300-650-644
seeleyinternational.com

It is the policy of Seeley International to introduce continual product improvement. Accordingly, specifications are subject to change without notice. Please consult with your dealer to confirm the specifications of the model selected.

Braemar[®]
HEATING & COOLING